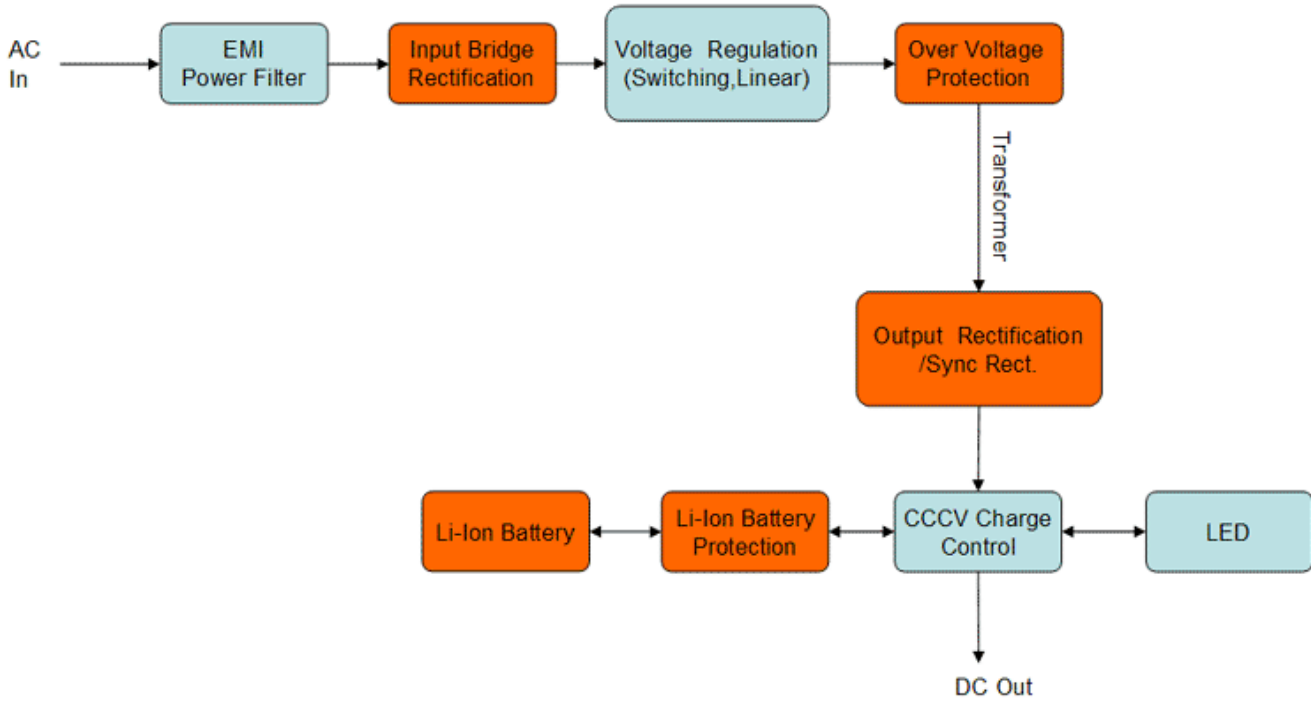


Li-Ion Battery Charger



Input Bridge Rectification: 1N4005 1N4005GP 1N4007 1N4007GP KBP210G

**Voltage Regulation
(Linear, Switching):** RB521S-30 RB520S-30 RB751S-40

Over Voltage Protection: ESD3V3D5 ESD5V0D5 ESD7V0D5 ESD12VD5 SMAJ5.0A

Out Rectification/Sync.Rect.: MBR1045 MBR1060 MBR1545CT MBR2045CT MBR2060CT
 MBR1045CT MBR1060CT MBR1060F MBR1045FCT MBR1060FCT

Li-Ion Battery Protection: RB521S-30 RB520S-30 RB751S-40